



RFID Encoder and Updater

This highly qualified and sophisticated RFID encoder and updater is embedded one single device. It is designed with functionality, reliability and durability in mind.



Specification

USB Host Interface

Protocol : USB HID Keyboard Class
Connector Type : Standard Type A
Power Source : From USB port
Speed : USB Full Speed (12 Mbps)
Supply Voltage : 5V
Supply Current : Max.200 mA
Cable Length : 2.0 m, Fixed

Contactless Smart Card Interface

Standard : ISO 14443 A and B Parts 1-4
Protocol : ISO 14443 T=CL for ISO 14443.4-compliant cards
T=CL Emulation for MIFARE Classic
Operating Frequency : 13.56 MHz
Operating Distance : Up to 50 mm (depending on card type)
Smart Card Read/Write Speed : 106 Kbps, 212 Kbps,
424 Kbps, 848 Kbps
Antenna Size : 65 mm X 60 mm

Physical Characteristics

Dimensions : 120.5 mm (L) X 72.0 mm (W) X 20.4 mm (H)
Weight : 140 g
Color : Black

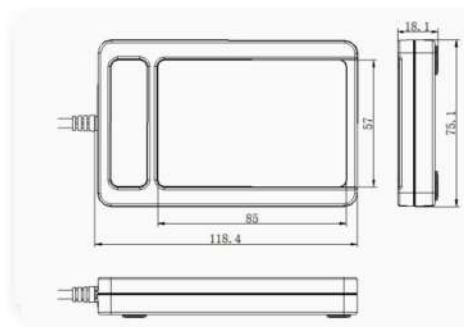
Built - in - Peripherals

LED : 2 single - color ; Red and Green
Buzzer : Monotone

Operating Conditions

Temperature : 0°C - 60°C
Humidity : Max. 90% (non-condensing)
MTBF : 500,000 hrs

Dimensions :



Disclaimer: Brief specifications are mentioned here. Specifications may change without prior notice. Customers are advised to check with us before purchase. Actual product may differ slightly to that depicted for ongoing product development